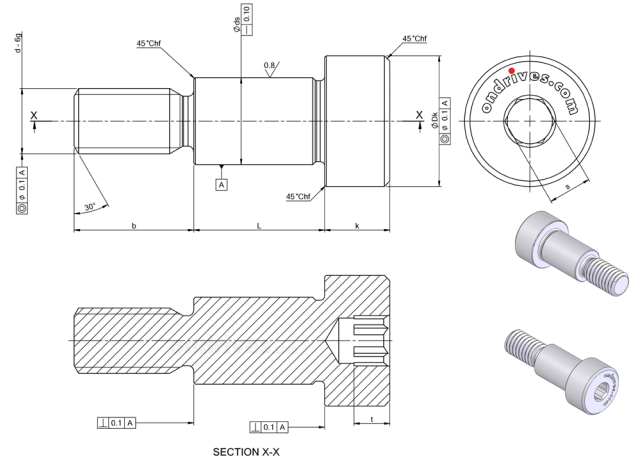
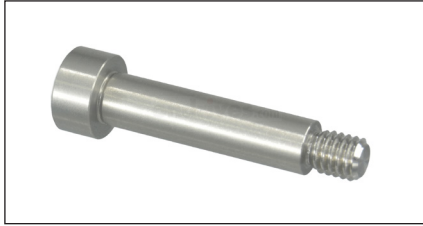
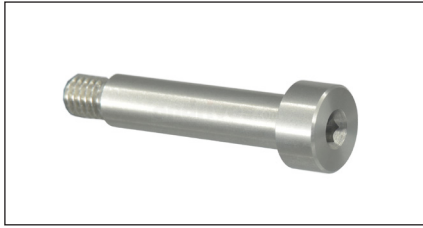


SHS

ondrives

Precision Gears

Precision Shoulder Screws Hexagon Socket Head

303 Stainless Steel Shoulder Screws **M2 - M4**

Part Numbers	Thread	Shoulder Diameter ds	Shoulder Length L	Head Diameter Dk	Head Length	Thread Length	Hexagon Socket	Hexagon Depth
303 Stainless	d		L	Dk	k	b	s	t
SHS	Metric - 6g	+0.005/-0.025	+0.05/-0		k	b	s	t
SHS2-2	M2	Ø 2.987	2.013	Ø 5	2	4	1.5	1
SHS2-4	M2	Ø 2.987	4.013	Ø 5	2	4	1.5	1
SHS2-6	M2	Ø 2.987	6.013	Ø 5	2	4	1.5	1
SHS2-8	M2	Ø 2.987	8.013	Ø 5	2	4	1.5	1
SHS2.5-4	M2.5	Ø 3.987	4.013	Ø 6	3	4	2	1.6
SHS2.5-6	M2.5	Ø 3.987	6.013	Ø 6	3	4	2	1.6
SHS2.5-8	M2.5	Ø 3.987	8.013	Ø 6	3	4	2	1.6
SHS2.5-10	M2.5	Ø 3.987	10.013	Ø 6	3	4	2	1.6
SHS2.5-12	M2.5	Ø 3.987	12.013	Ø 6	3	4	2	1.6
SHS3-4	M3	Ø 3.987	4.013	Ø 6	3	4	2	1.6
SHS3-5	M3	Ø 3.987	5.013	Ø 6	3	4	2	1.6
SHS3-6	M3	Ø 3.987	6.013	Ø 6	3	4	2	1.6
SHS3-8	M3	Ø 3.987	8.013	Ø 6	3	4	2	1.6
SHS3-10	M3	Ø 3.987	10.013	Ø 6	3	4	2	1.6
SHS3-12	M3	Ø 3.987	12.013	Ø 6	3	4	2	1.6
SHS3-14	M3	Ø 3.987	14.013	Ø 6	3	4	2	1.6
SHS3-16	M3	Ø 3.987	16.013	Ø 6	3	4	2	1.6
SHS3-20	M3	Ø 3.987	20.013	Ø 6	3	4	2	1.6
SHS3-25	M3	Ø 3.987	25.013	Ø 6	3	4	2	1.6
SHS4-4	M4	Ø 4.987	4.013	Ø 8	4	5	2.5	2
SHS4-5	M4	Ø 4.987	5.013	Ø 8	4	5	2.5	2
SHS4-6	M4	Ø 4.987	6.013	Ø 8	4	5	2.5	2
SHS4-8	M4	Ø 4.987	8.013	Ø 8	4	5	2.5	2
SHS4-10	M4	Ø 4.987	10.013	Ø 8	4	5	2.5	2
SHS4-12	M4	Ø 4.987	12.013	Ø 8	4	5	2.5	2
SHS4-14	M4	Ø 4.987	14.013	Ø 8	4	5	2.5	2
SHS4-16	M4	Ø 4.987	16.013	Ø 8	4	5	2.5	2
SHS4-20	M4	Ø 4.987	20.013	Ø 8	4	5	2.5	2
SHS4-25	M4	Ø 4.987	25.013	Ø 8	4	5	2.5	2
SHS4-30	M4	Ø 4.987	30.013	Ø 8	4	5	2.5	2
SHS4-40	M4	Ø 4.987	40.013	Ø 8	4	5	2.5	2

Material: 303S21/31 • 18-8 • 1.4305. Austenitic Stainless Steel

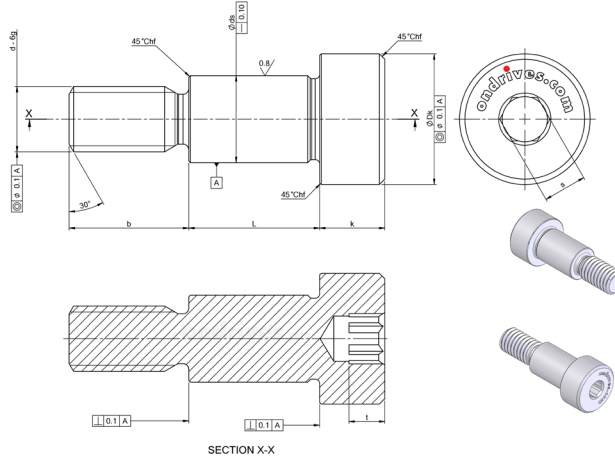
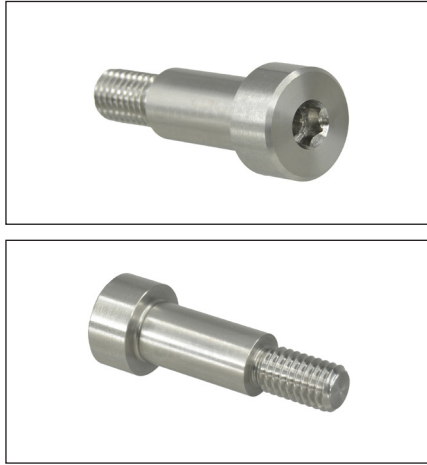
ondrives
Precision Gears

T: +44 1246 455500
sales@ondrives.com www.ondrives.com
Updated March 2024 subject to change for use as a guide only.

303 Stainless Shoulder Screws

Precision Shoulder Screws Hexagon Socket Head

303 Stainless Steel Shoulder Screws **M5 - M6**



Part Numbers								
303 Stainless	Thread d	Shoulder Diameter ds	Shoulder Length L	Head Diameter Dk	Head Length	Thread Length	Hexagon Socket	Hexagon Depth
SHS	Metric - 6g	+0.005/-0.025	+0.05/-0		k	b	s	t
SHS5-4	M5	Ø 5.987	4.013	Ø 10	5	6	3	2.4
SHS5-5	M5	Ø 5.987	5.013	Ø 10	5	6	3	2.4
SHS5-6	M5	Ø 5.987	6.013	Ø 10	5	6	3	2.4
SHS5-8	M5	Ø 5.987	8.013	Ø 10	5	6	3	2.4
SHS5-10	M5	Ø 5.987	10.013	Ø 10	5	6	3	2.4
SHS5-12	M5	Ø 5.987	12.013	Ø 10	5	6	3	2.4
SHS5-14	M5	Ø 5.987	14.013	Ø 10	5	6	3	2.4
SHS5-16	M5	Ø 5.987	16.013	Ø 10	5	6	3	2.4
SHS5-20	M5	Ø 5.987	20.013	Ø 10	5	6	3	2.4
SHS5-25	M5	Ø 5.987	25.013	Ø 10	5	6	3	2.4
SHS5-30	M5	Ø 5.987	30.013	Ø 10	5	6	3	2.4
SHS5-40	M5	Ø 5.987	40.013	Ø 10	5	6	3	2.4
SHS5-50	M5	Ø 5.987	50.013	Ø 10	5	6	3	2.4
SHS5-60	M5	Ø 5.987	60.013	Ø 10	5	6	3	2.4
SHS6-6	M6	Ø 7.987	6.013	Ø 12	6	11	4	3.2
SHS6-8	M6	Ø 7.987	8.013	Ø 12	6	11	4	3.2
SHS6-10	M6	Ø 7.987	10.013	Ø 12	6	11	4	3.2
SHS6-12	M6	Ø 7.987	12.013	Ø 12	6	11	4	3.2
SHS6-16	M6	Ø 7.987	16.013	Ø 12	6	11	4	3.2
SHS6-20	M6	Ø 7.987	20.013	Ø 12	6	11	4	3.2
SHS6-25	M6	Ø 7.987	25.013	Ø 12	6	11	4	3.2
SHS6-30	M6	Ø 7.987	30.013	Ø 12	6	11	4	3.2
SHS6-40	M6	Ø 7.987	40.013	Ø 12	6	11	4	3.2
SHS6-50	M6	Ø 7.987	50.013	Ø 12	6	11	4	3.2
SHS6-60	M6	Ø 7.987	60.013	Ø 12	6	11	4	3.2
SHS6-100	M6	Ø 7.987	100.013	Ø 12	6	11	4	3.2

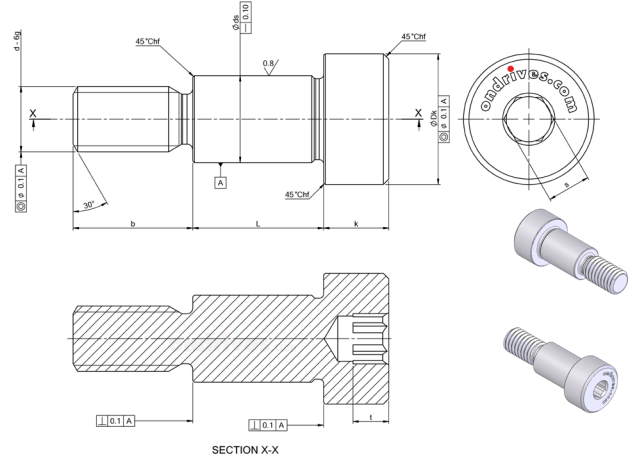
Material: 303S21/31 •18-8 •1.4305. Austenitic Stainless Steel

SHS

ondrives

Precision Gears

Precision Shoulder Screws Hexagon Socket Head

303 Stainless Steel Shoulder Screws **M6 - M10**

Part Numbers	Thread	Shoulder Diameter	Shoulder Length	Head Diameter	Head Length	Thread Length	Hexagon Socket	Hexagon Depth
303 Stainless	d	ds	L	Dk	k	b	s	t
SHS	Metric - 6g	+0.005/-0.025	+0.05/-0		k	b	s	t
SHS6.1-8	M6	Ø 9.987	8.013	Ø 12	6	11	4	3.2
SHS6.1-10	M6	Ø 9.987	10.013	Ø 12	6	11	4	3.2
SHS6.1-12	M6	Ø 9.987	12.013	Ø 12	6	11	4	3.2
SHS6.1-16	M6	Ø 9.987	16.013	Ø 12	6	11	4	3.2
SHS8-8	M8	Ø 9.987	8.013	Ø 14	7	12	5	4
SHS8-10	M8	Ø 9.987	10.013	Ø 14	7	12	5	4
SHS8-12	M8	Ø 9.987	12.013	Ø 14	7	12	5	4
SHS8-16	M8	Ø 9.987	16.013	Ø 14	7	12	5	4
SHS8-20	M8	Ø 9.987	20.013	Ø 14	7	12	5	4
SHS8-25	M8	Ø 9.987	25.013	Ø 14	7	12	5	4
SHS8-30	M8	Ø 9.987	30.013	Ø 14	7	12	5	4
SHS8-40	M8	Ø 9.987	40.013	Ø 14	7	12	5	4
SHS8-45	M8	Ø 9.987	45.013	Ø 14	7	12	5	4
SHS8-50	M8	Ø 9.987	50.013	Ø 14	7	12	5	4
SHS8-60	M8	Ø 9.987	60.013	Ø 14	7	12	5	4
SHS8-80	M8	Ø 9.987	80.013	Ø 14	7	12	5	4
SHS8-100	M8	Ø 9.987	100.013	Ø 14	7	12	5	4
SHS10-12	M10	Ø 11.987	12.013	Ø 20	8	16	6	4.8
SHS10-16	M10	Ø 11.987	16.013	Ø 20	8	16	6	4.8
SHS10-20	M10	Ø 11.987	20.013	Ø 20	8	16	6	4.8
SHS10-25	M10	Ø 11.987	25.013	Ø 20	8	16	6	4.8
SHS10-30	M10	Ø 11.987	30.013	Ø 20	8	16	6	4.8
SHS10-40	M10	Ø 11.987	40.013	Ø 20	8	16	6	4.8
SHS10-50	M10	Ø 11.987	50.013	Ø 20	8	16	6	4.8
SHS10-60	M10	Ø 11.987	60.013	Ø 20	8	16	6	4.8
SHS10-80	M10	Ø 11.987	80.013	Ø 20	8	16	6	4.8
SHS10-100	M10	Ø 11.987	100.013	Ø 20	8	16	6	4.8

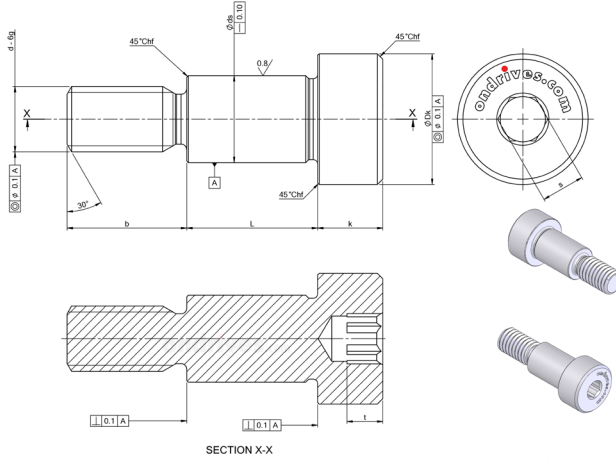
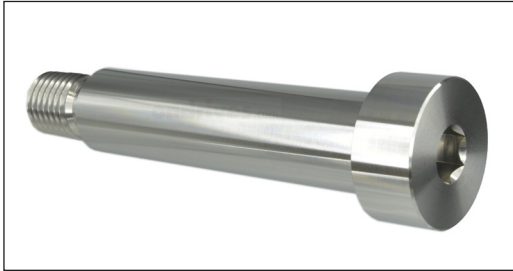
Material: 303S21/31 • 18-8 • 1.4305. Austenitic Stainless Steel

ondrives
Precision Gears

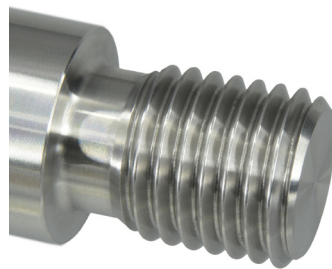
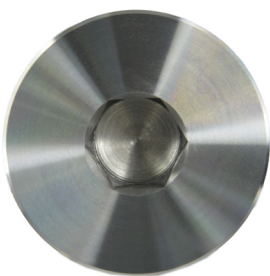
T: +44 1246 455500
sales@ondrives.com www.ondrives.com
Updated March 2024 subject to change for use as a guide only.

303 Stainless Shoulder Screws

Precision Shoulder Screws Hexagon Socket Head 303 Stainless Steel Shoulder Screws **M12 - M20**



Part Numbers								
303 Stainless	Thread d	Shoulder Diameter ds	Shoulder Length L	Head Diameter Dk	Head Length k	Thread Length b	Hexagon Socket s	Hexagon Depth t
SHS	Metric - 6g	+0.005/-0.025	+0.05/-0		k	b	s	t
SHS12-20	M12	Ø 15.987	20.013	Ø 24	11	18	8	6.6
SHS12-30	M12	Ø 15.987	30.013	Ø 24	11	18	8	6.6
SHS12-40	M12	Ø 15.987	40.013	Ø 24	11	18	8	6.6
SHS12-50	M12	Ø 15.987	50.013	Ø 24	11	18	8	6.6
SHS12-60	M12	Ø 15.987	60.013	Ø 24	11	18	8	6.6
SHS12-80	M12	Ø 15.987	80.013	Ø 24	11	18	8	6.6
SHS12-100	M12	Ø 15.987	100.013	Ø 24	11	18	8	6.6
SHS12-120	M12	Ø 15.987	120.013	Ø 24	11	18	8	6.6
SHS16-40	M16	Ø 19.987	40.013	Ø 30	14	22	10	9
SHS16-50	M16	Ø 19.987	50.013	Ø 30	14	22	10	9
SHS16-60	M16	Ø 19.987	60.013	Ø 30	14	22	10	9
SHS16-80	M16	Ø 19.987	80.013	Ø 30	14	22	10	9
SHS16-100	M16	Ø 19.987	100.013	Ø 30	14	22	10	9
SHS16-120	M16	Ø 19.987	120.013	Ø 30	14	22	10	9
SHS20-40	M20	Ø 24.987	40.013	Ø 36	16	27	12	10
SHS20-60	M20	Ø 24.987	60.013	Ø 36	16	27	12	10
SHS20-80	M20	Ø 24.987	80.013	Ø 36	16	27	12	10
SHS20-100	M20	Ø 24.987	100.013	Ø 36	16	27	12	10
SHS20-120	M20	Ø 24.987	120.013	Ø 36	16	27	12	10



Material: 303S21/31 •18-8 •1.4305. Austenitic Stainless Steel